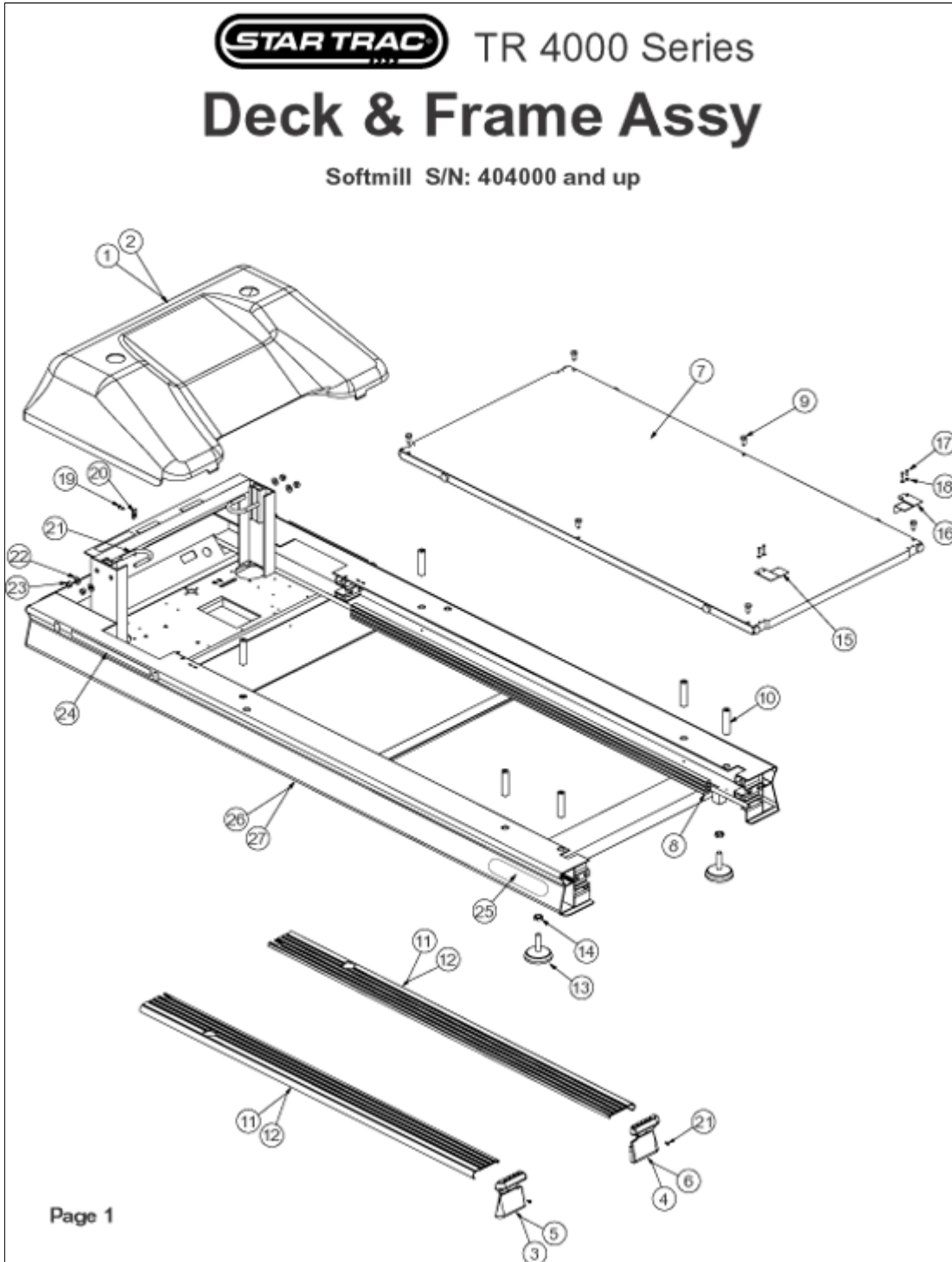


Product ID: 4 • Diagram ID: 44

Deck & Frame Assy

PreSoftmill

Callout	Part Number:	Description
1	020-0896	Shroud, Motor, 3000/4000
2	800-0592	Deck, Wear Deck
3	050-0180	Deck, Sub (now Black)
4	800-3239	Deck Rubber, Enhancement Set
5	140-0715	Deck Foam, 1/4", p/ft, top
6	140-0851	Non-Skid Tape, 4" order per Ft
7	715-3196	Delrin Stop Rod w/screw
8	800-0004	Finger Guard, Endcap, Lt
9	800-0003	Finger Guard, Endcap, Rt
10	110-0475	Screw, 10-32x1/2" Phcs, Blk Oxd
11	140-3200	Adjustable Foot, 1/2-13x3.0"
12	110-1823	Nut, 1/2-13x5/16" Jam
13	110-2999	Screw, 10-32x1.5"
14	140-3108	Deck Bumper, Hollow Stem
15	110-1000	U-Bolt, 3/8-16
16	120-0460	Washer, 3/8" Lock
17	110-1830	Nut, 3/8-16 Hex, nyloc
18	120-3000	Rubber Grommet, 4000 Frame
19	050-1704	*OBSOLETE*
20	710-1031	Frame, Painted

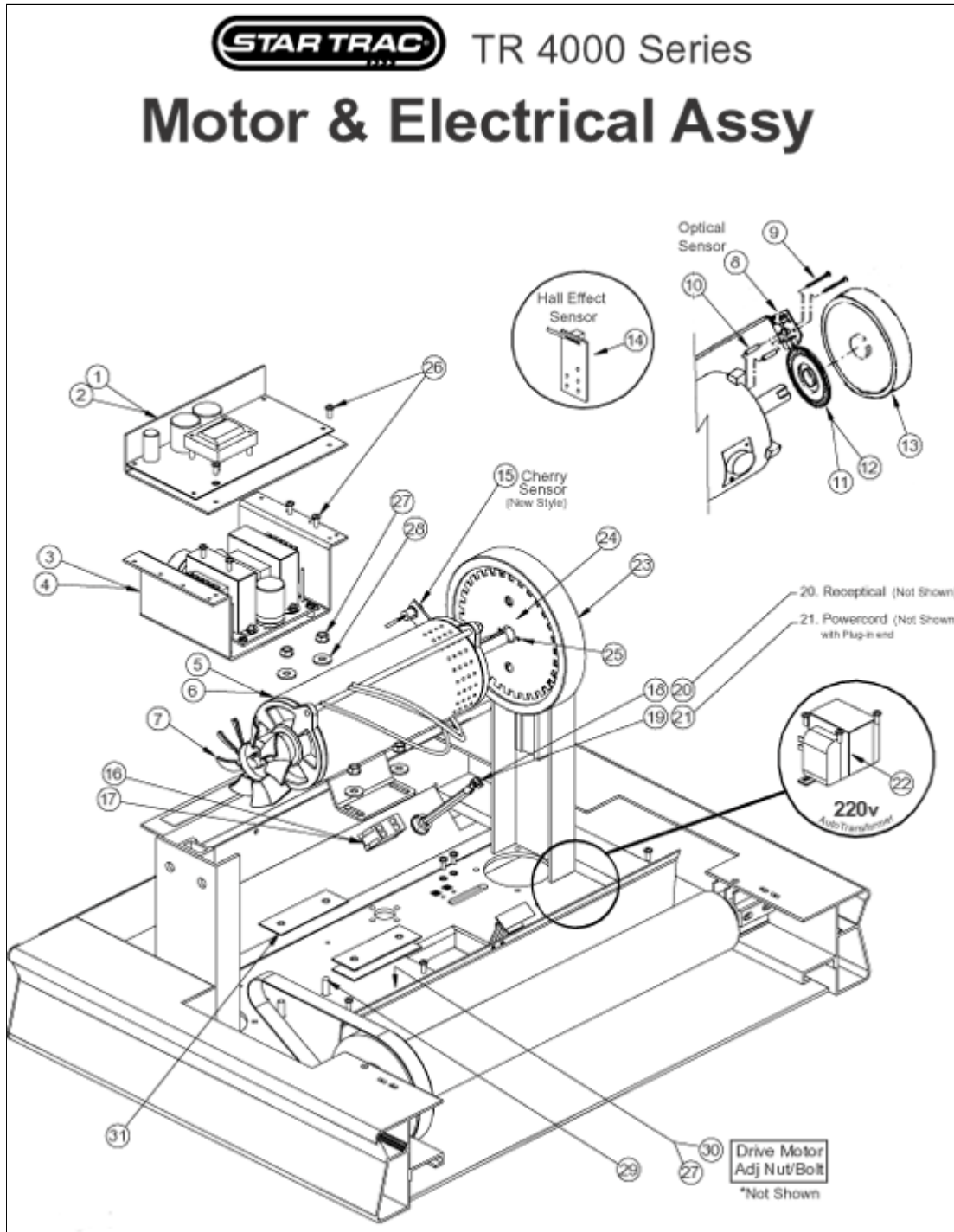


Product ID: 4 • Diagram ID: 43

Deck & Frame Assy

Softmill

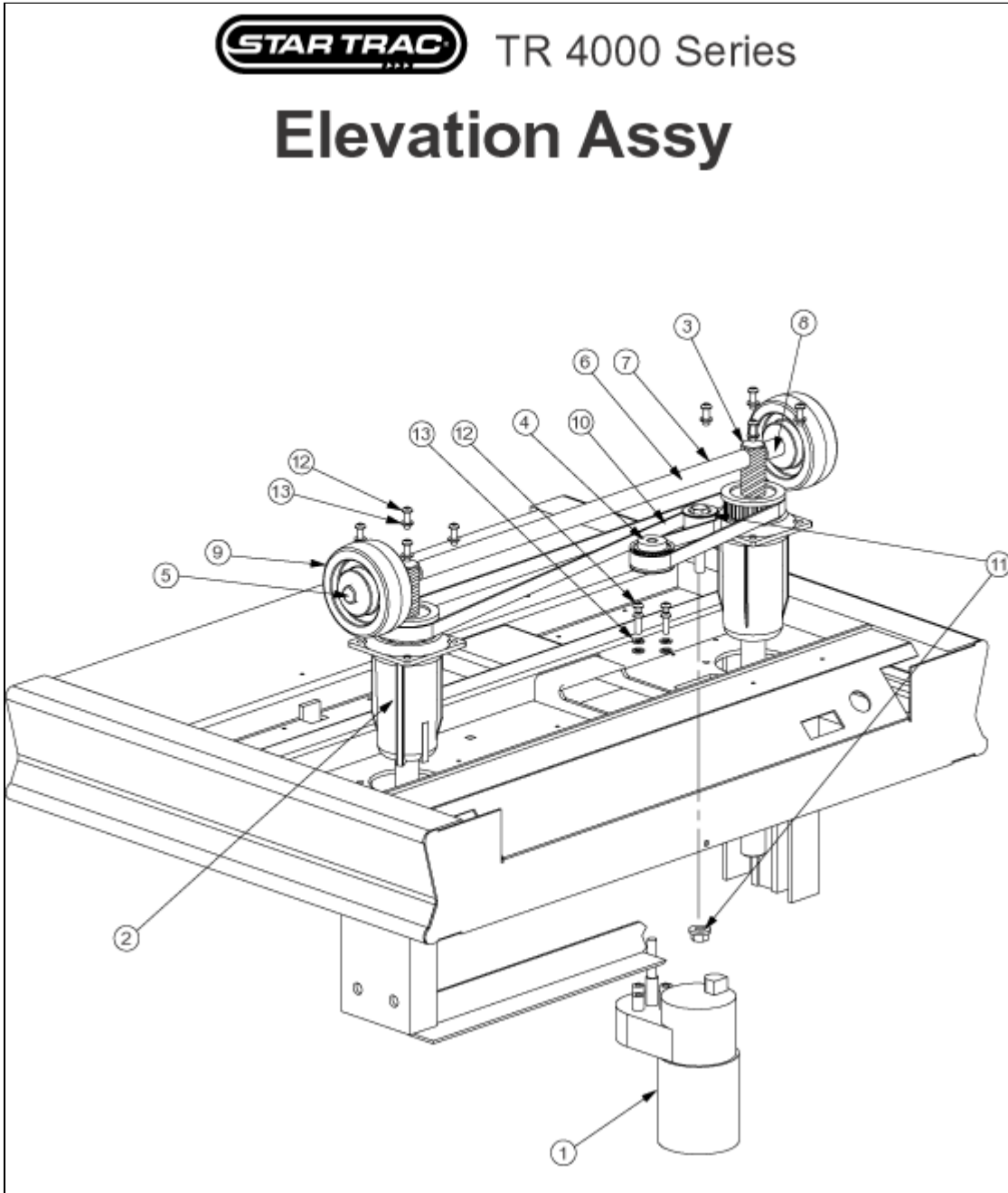
Callout	Part Number:	Description
1	020-4497	Shroud, Motor, 4/45/39/4200
2	020-4500	Shroud, Motor, gry, 4/45/39/42
3	020-4452	Endcap, Lt, 4/45/39/4200
4	020-4453	Endcap, Rt, 4/45/39/4200
5	020-4480	Endcap, Lt, gry, 4/45/39/4200
6	020-4481	Endcap, Rt, gry, 4/45/39/4200
7	050-1630	Deck, dbl-sided
8	010-3106	Deck Rubber, 53.5"
9	140-3108	Deck Bumper, Hollow Stem
10	715-3196	Delrin Stop Rod w/screw
11	020-4446	*OBSOLETE*
12	020-4478	Sidebed Cover Extr, gry, 4000
13	140-3200	Adjustable Foot, 1/2-13x3.0"
14	110-1823	Nut, 1/2-13x5/16" Jam
15	020-4454	Finger Guard, Plate, Lt
16	020-4627	Finger Guard, Plate, Rt
17	110-3066	Screw, 6x5/8" Truss Hd Phil
18	120-3002	Washer, #6 Nylon
19	110-3027	Screw, 10Abx3/4" Phps
20	110-1790	Tinnerman Clip, #10 nut
21	110-0475	Screw, 10-32x1/2" Phcs, Blk Oxd
22	120-0460	Washer, 3/8" Lock
23	110-1830	Nut, 3/8-16 Hex, nyloc
24	140-0492	Velcro Tape Loops (12" strip)
25	050-1704	*OBSOLETE*
26	800-3939	Frame Assy, Welded
27	710-1035	Frame, Painted, gry



Electrical Assy

Motor & Electrical

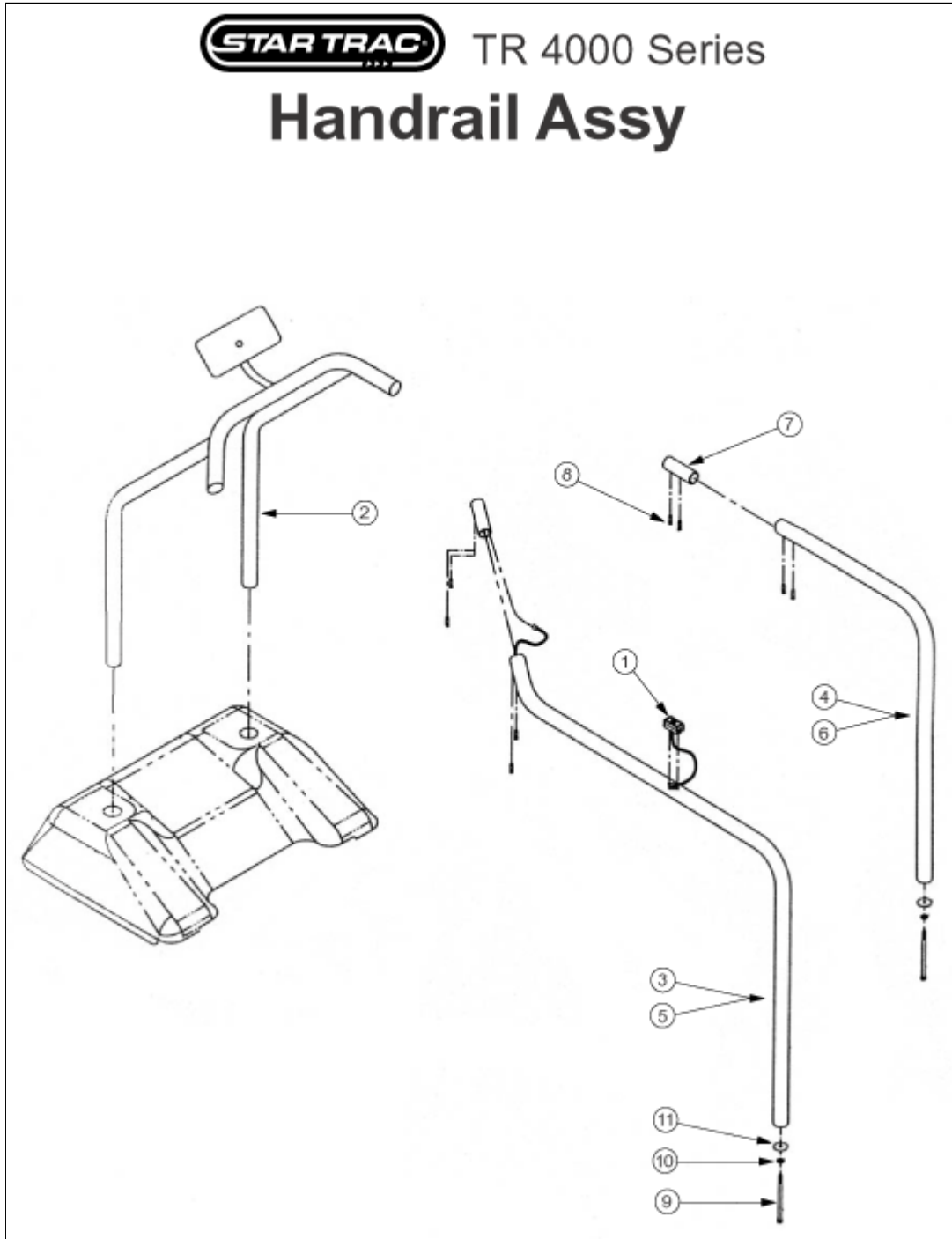
Callout	Part Number:	Description
1	715-3571	Mcb, 110v, w/Jumpers
2	715-3572	Mcb, 220v, w/Jumpers
3	800-3259	Filter Network, 110v
4	715-3467	Filter Network, 220v
5	260-0904	Motor, Drive, 110v 2.5hp mag
6	260-0905	Motor, Drive, 220v 2.5hp mag
7	140-3111	Fan, Motor 9 Blades
8	800-0070	Rpm Sensor, Optical
9	110-0280	Screw, 6-32x7/8" Phm,sl,cs
10	120-0755	Spacer, 6-1/4 x1/8" Nylon
11	020-0441	Rpm Disk, 125 Window, Plastic
12	800-0405	Rpm Disk, 125 Window, Metal
13	020-0681	Flywheel, 8" x 5/8" id
14	800-0071	*Alt* Use Part # 800-3260
15	800-3260	Rpm Sensor, w/Bracket
16	470-0190	Switch, Pwr, On/off Brkr, 110v 18a
17	470-0180	Switch, Pwr, On/off Brkr, 220v 18a
18	800-3245	Power Cord, 110v, nema 5-20
19	800-0275	Power Cord, 220v, nema 6-15
20	800-3186	*OBSOLETE*
21	800-3184	Power Cord, 110v, plugin type
22	440-0095	Xfmr, 220v, Elev Step-Down
23	020-0681	Flywheel, 8" x 5/8" id
24	020-0493	Rpm Disk Target, 31 Slots
25	110-3072	Screw, 8-32x3/8" Rhms
26	110-3026	Screw, 10-24x3/4" Phtcs
27	110-1870	Nut, 5/16-18
28	120-0480	Washer, 5/16" Cut
29	110-1516	Bolt, 5/16-18x1.0" Carriage
30	110-1510	Bolt, 5/16-18x1.75"
31	140-0020	Pad, Motor, 1/16"



Product ID: 4 • Diagram ID: 45

Elevation Assy

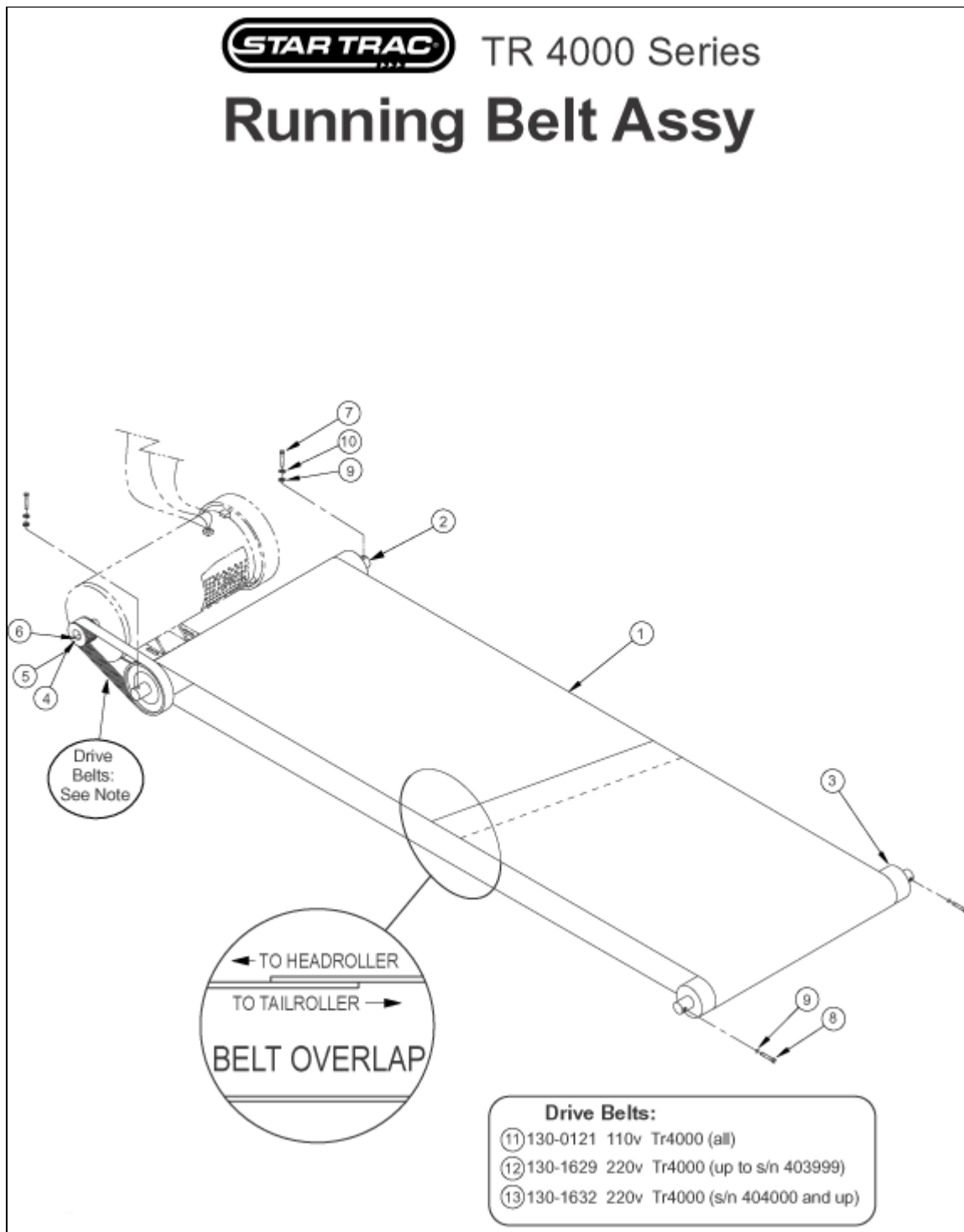
Callout	Part Number:	Description
1	260-0235	Motor, Elev, 110vac
2	708-0151	Elev Can
3	715-0110	Elev Screw, Drilled
4	130-0250	Pulley, Elev Mtr, 2/3/15/1000
5	110-1415	Axle Push Cap, 1/2"
6	715-3430	Elev Axle, 1/2" dia
7	020-6266	Sleeve, Elev Axle
8	020-6268	Spacer, Elevation
9	130-1280	Wheel, 3x1x1/2" bore
10	130-0050	Belt, Elev, 1595-5M15
11	800-0225	Elev, Idler Pulley Assy
12	110-3119	Screw, 1/4-20x3/4" Bhcs,loctite
13	120-0420	Washer, 1/4" Lock



Product ID: 4 • Diagram ID: 48

Handrail Assy

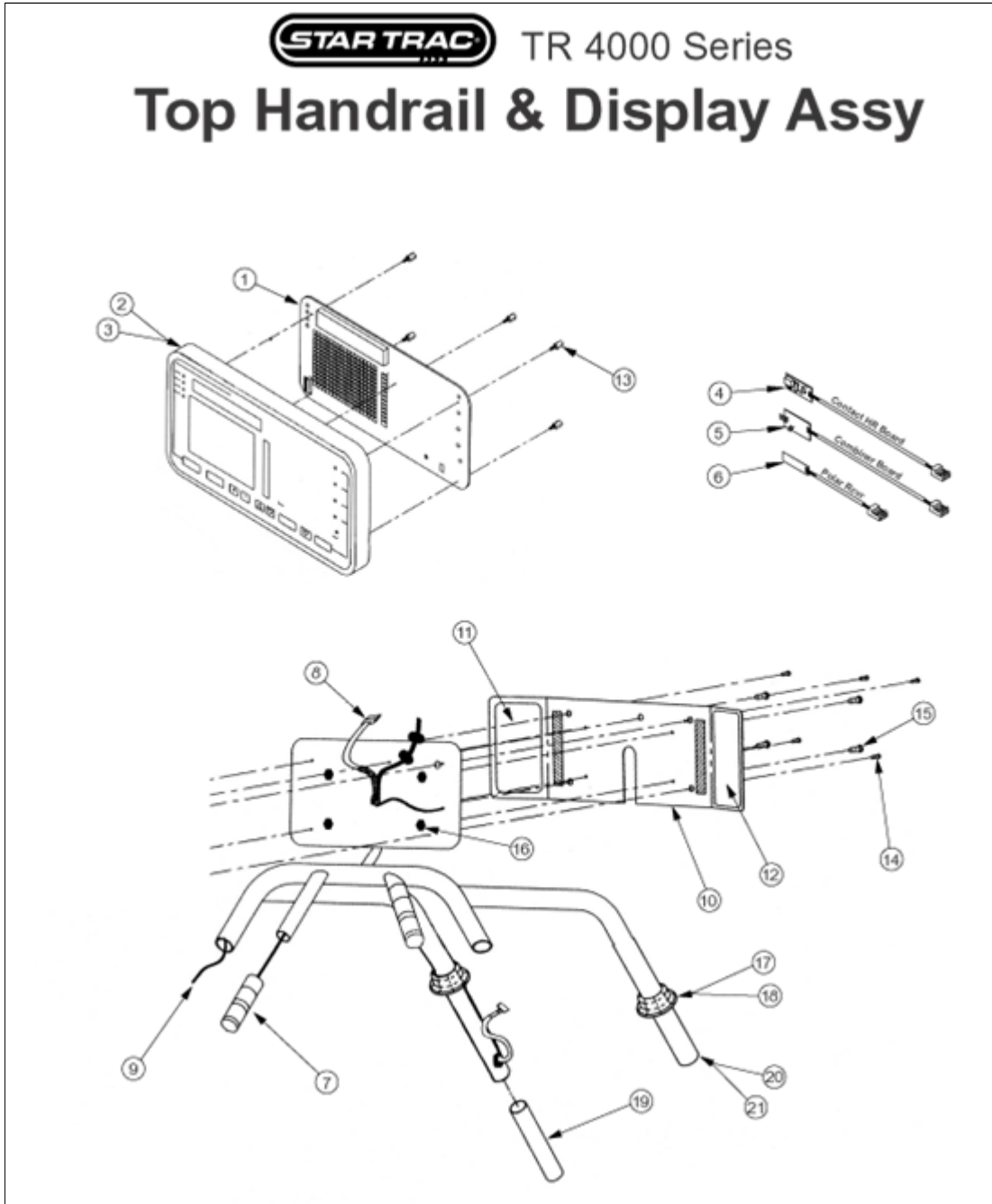
Callout	Part Number:	Description
1	800-0124	Switch, Stop w/Cable, 2/3/4000
2	020-4443	Front Hrail, TR4000
3	020-4444	*OBSOLETE*
4	020-4445	*OBSOLETE*
5	020-4463	Hrail, Long, gry
6	020-4464	Hrail, Short, gry
7	710-0521	Insert, Hrail
8	110-0506	Screw, 1/4-28x3/8" Bhss
9	110-0685	Bolt, 5/16-18x6.0" Hex
10	120-0480	Washer, 5/16" Cut
11	120-0491	Washer, 5/16 x 1.5" Flat



Product ID: 4 • Diagram ID: 47

Running Belt Assy

Callout	Part Number:	Description
1	130-1630	Belt, Running, 20x128.5"
2	708-0061	Roller, Head
3	708-0132	Roller, Tail, 4/45/39/2/3/18+
4	130-7009	Pulley, Drive, 10J, 1.8"od
5	130-1628	Pulley, Drive, 10J, 2.1"od
6	110-1442	Keyway, 3/16x1.5" Steppers
7	110-3056	Screw, 5/16-18x2.0" Shcs
8	110-0651	Screw, 5/16-18x1.75" Shcs Thr
9	120-0490	Washer, 5/16 x1/2" Flat
10	120-0496	Washer, 5/16" Lock
11	130-0121	Belt, Drive, 280J10, Poly-V
12	130-1629	Belt, Drive, 285J10, Poly-V
13	130-1632	Belt, Drive, 290J10, Poly-V



Product ID: 4 • Diagram ID: 49

Upper Assy

Handrail & Display

Callout	Part Number:	Description
1	715-0060	Disp Elec, Pcb, 4000
2	800-3151	Disp Panel, w/Kp, no Elec, 4000
3	800-3220	Disp Panel, gry
4	140-2497	Hr Board, Contact
5	800-3932	Combiner HR Brd, c/p to disp
6	800-3921	Cable, Hr Receiver, Polar
7	800-3878	Hr Grip Assy, w/Wire, one side
8	800-0126	Disp Cable (Data)
9	708-0402	Cable Assy, Stop Sw, Extn
10	020-1360	Instr Panel, No Stickers
11	050-3305	Label, Instr, Lt
12	050-3303	Label, Instr, Hr, Rt
13	120-0111	Standoff, 6-32x1/2" M-f
14	110-0130	Screw, 6-32x1/4"
15	110-0390	Screw, 10-32x1/2" Bhss
16	110-1770	*OBSOLETE*
17	140-3127	Gasket, Base Hrail
18	140-3133	Gasket, Base Hrail, gry
19	800-3916	Rail Kit, Sleeve, Taped
20	020-4448	Front Hrail, c-Hr
21	020-4466	Hrail, Front, c-Hr, gry